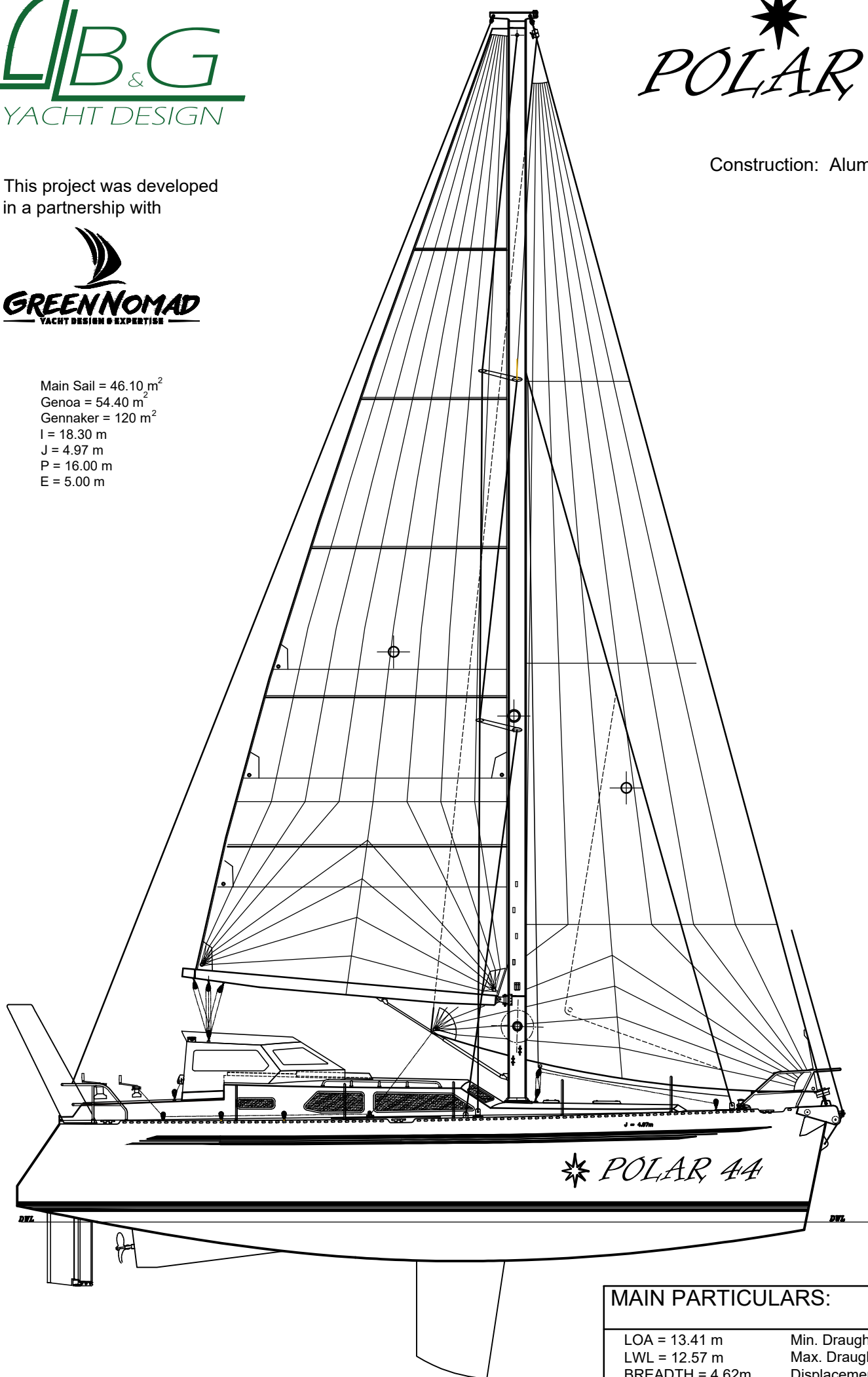


This project was developed
in a partnership with



Construction: Alumium

Main Sail = 46.10 m²
Genoa = 54.40 m²
Gennaker = 120 m²
I = 18.30 m
J = 4.97 m
P = 16.00 m
E = 5.00 m

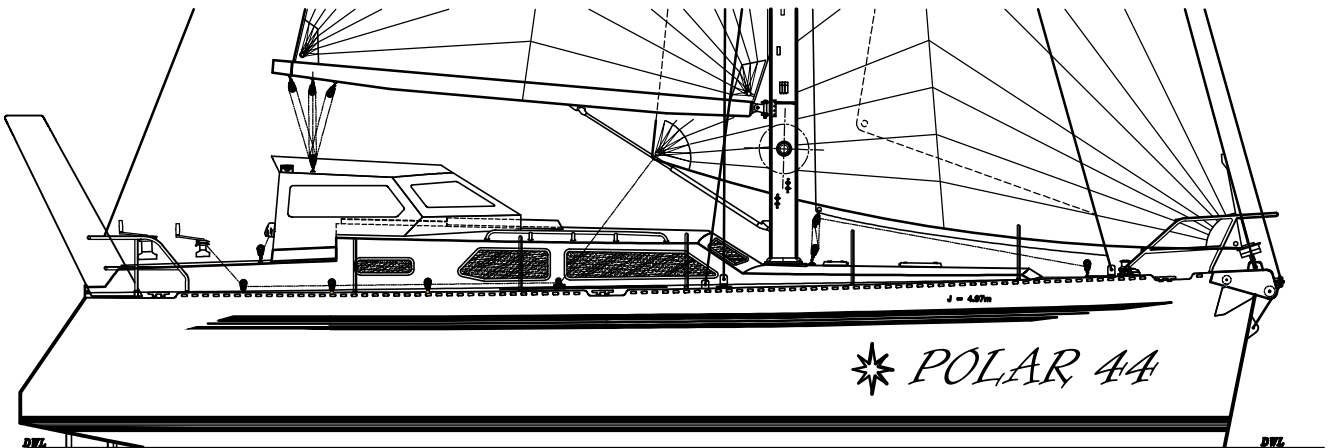
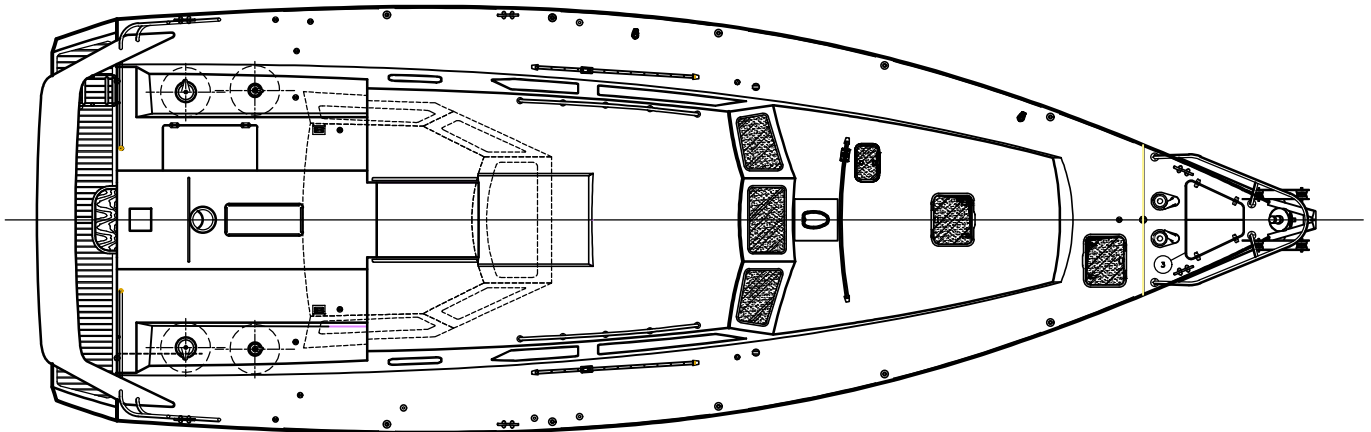
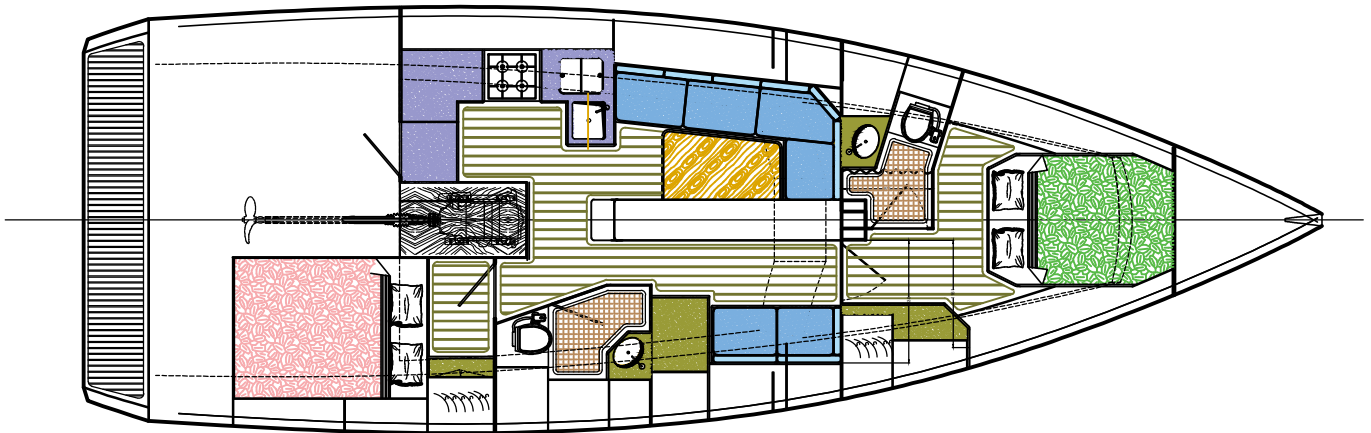


MAIN PARTICULARS:

LOA = 13.41 m	Min. Draught = 0.92 m
LWL = 12.57 m	Max. Draught = 2.74m
BREADTH = 4.62m	Displacement = 14220 kg
	Ballast = 4000 kg

★
POLAR 44

This project was developed
in a partnership with



Construction: Alumium

MAIN PARTICULARS:

LOA = 13.41 m	Min. Draught = 0.92 m
LWL = 12.57 m	Max. Draught = 2.74m
BREADTH = 4.62m	Displacement = 14220 kg
	Ballast = 4000 kg