

Pop Alu 28

Construction: Aluminium

This project was developed
in a partnership with



Main Sail = 24.20 m²
Jib = 13.03 m²
Reacher = 26.57 m²
I = 8.46 m
J = 3.15 m
P = 9.85 m
E = 3.30 m

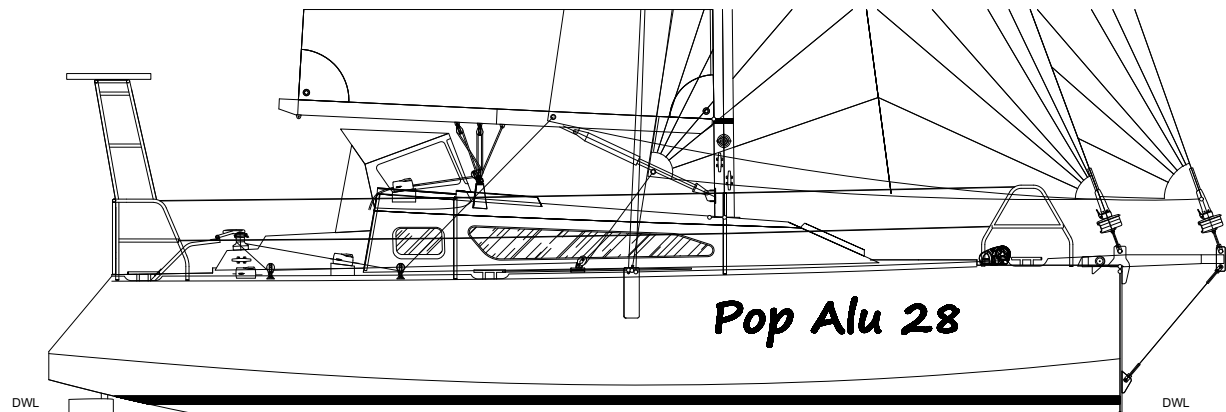
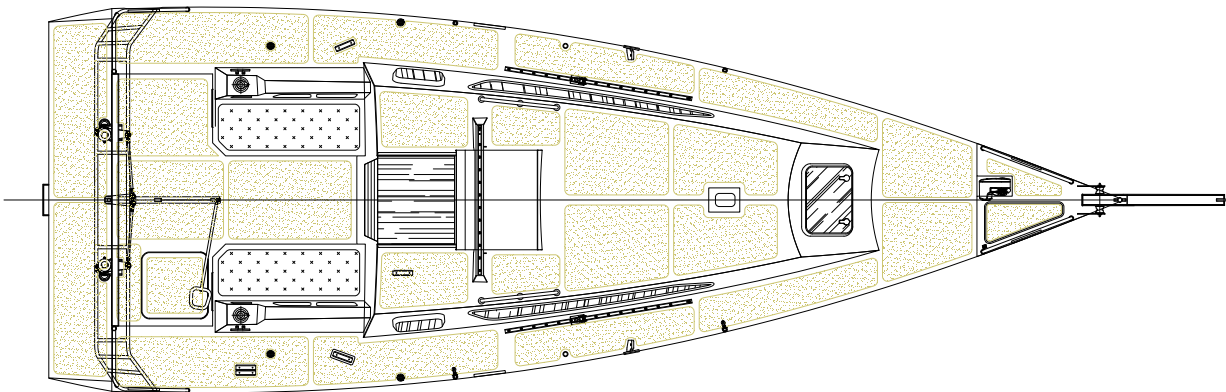
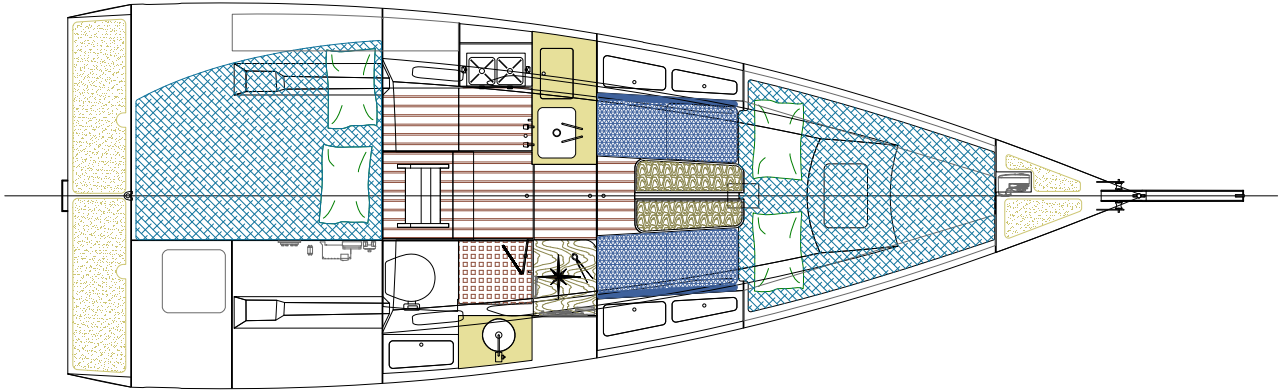


MAIN PARTICULARS:

LOA = 8.50 m	Draught = 1.50 m
LWL = 7.90 m	Displacement = 3495 kg
BREADTH = 3.07 m	Ballast = 1054 kg

Pop Alu 28

This project was developed
in a partnership with



Construction: Aluminium

MAIN PARTICULARS:

LOA = 8.50 m	Draught = 1.50 m
LWL = 7.90 m	Displacement = 3495 kg
BREADTH = 3.07 m	Ballast = 1054 kg